

New!



M12 X-Coded Connectors

For Gigabit Ethernet

JPC's M12 X-Coded connectors are available to meet Industry 4.0 automation control equipment. It can be used at Signal Transmission, Power, Sensor and Cable Connection. The connectors are designed for transmission technology according to CAT6A and 500MHz/10 Gigabit and are standardized to IEC 61076-2-109, ensuring an industry-wide connector compatibility.

10 Gbps

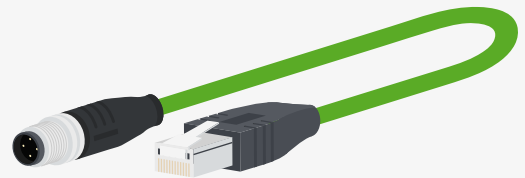


M-X628-PMA-R
(Plug)

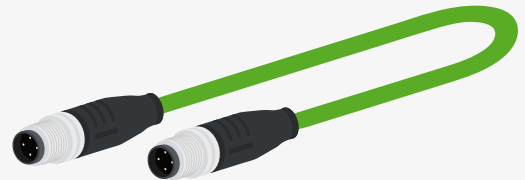


M-X628-RFA-R
(Receptacle)

Cable assembly



M12 X-coded to RJ45 cable



M12 X-coded to M12 X-coded cable

Product specification

1. Cat.6A data transmission rate up to 10Gbps(500MHz)
2. IP67 waterproof rating
3. Vibration proof
4. Corrosion resistant
5. UL 94V-0 rated material
6. Compliant with IEC 61076-2-109
7. Current rating: 0.5A (max)
8. Rated voltage: 50V (max)
9. Insulation impedance(DC 500V, 1 minute, the results comes out): 100 MΩ MIN
10. Withstanding voltage: AC 800V, 1 minute
11. Contact resistance: DC 1A the results comes out Max 10 Ω
12. 1000 mating cycles
13. M12 screw locking mechanism
14. Temperature range: -40°C to +85°C

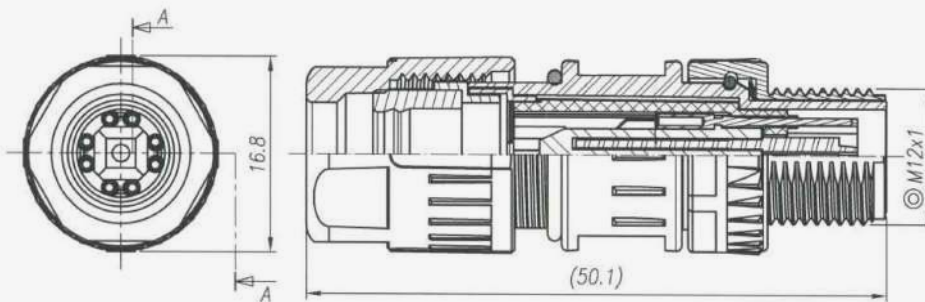


PRODUCT FEATURE

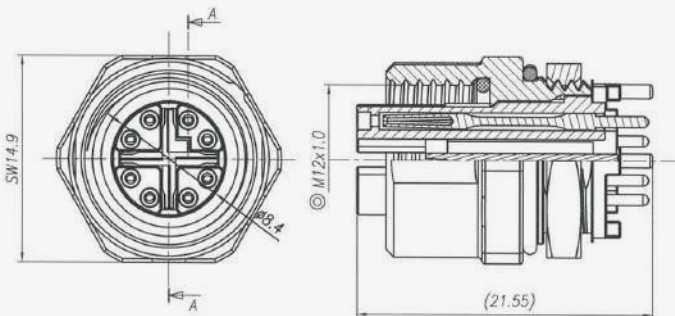
1. Shell Material: Material stability is not easy to deform.
2. Insulating Material: Fireproof, High temperature and pressure resistant.
3. Surface Treatment: High-tech surface with special matte finish, High-quality texture without reflection.
4. Conductor(PIN): Well contact and Low impedance, Low temperature, Flat PIN, Stable impedance, Not easy to deteriorate.
5. Cable Glands: Professional design and Tight fit, Waterproof.

PRODUCT SPECIFICATION

M-X628-PMA-R



M-X628-RFA-R



APPLICATION/MARKET

Industrial automation
Broadband wireless access
Surveillance systems
Mass rapid transit and railways
Ethernet Protocol:PROFINET/PROFIBUS/EtherCAT

