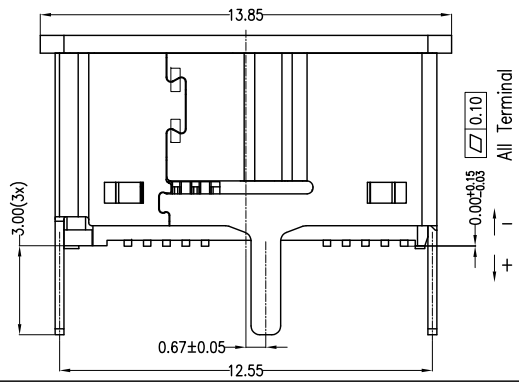
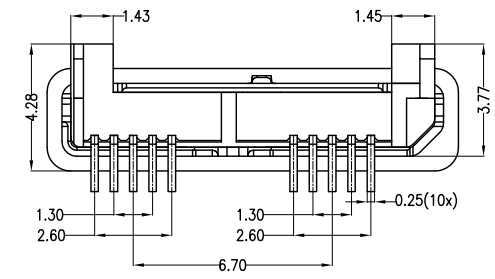
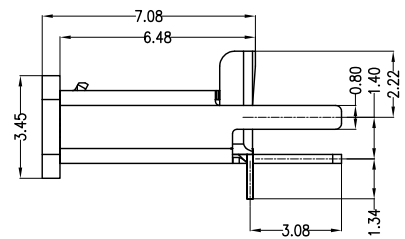
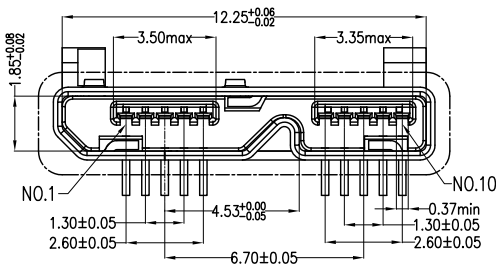
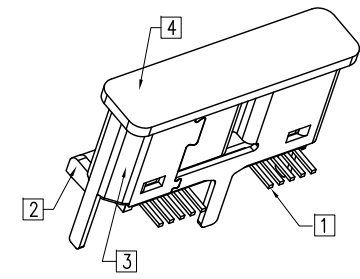
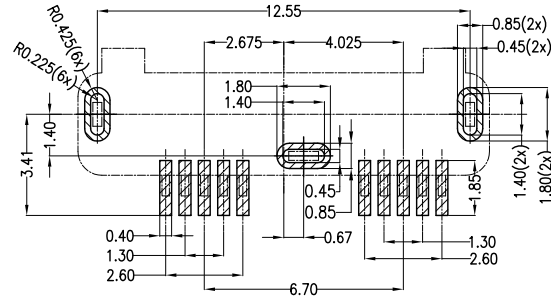
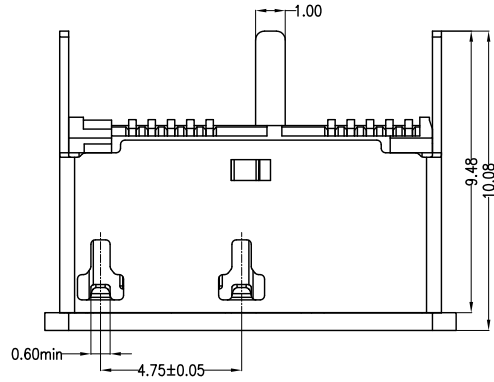


THIS DRAWING AND THE DATA DISCLOSED HEREIN OR HEREWITH IS NOT TO BE REPRODUCED USED OR DISCLOSED IN WHOLE OR IN PART TO ANYONE WITHOUT THE PERMISSION OF JESS-LINK PRODUCTS CO.,LTD.

CUSTOMER DRAWING

REV.	ECN NO.	DESCRIPTION	MDF'D	APP'D	DATE
01		RELEASE	COLIN	RICHARD	01/29/15*
03	ECN-060175	ADD LOT NO.	COLIN	RICHARD	03/16/16*
04	ECN-072495	Modify picture frame	Chenke	RICHARD	11/01/18*



ITEM	PART	DESCRIPTION	PART NUMBER	Q'TY
4	CAP	HIGH TEMPERATURE THERMOPLASTIC,BLACK	MPL0021736	1
3	SHELL	STAINLESS STEEL,T=0.30,Ni:30u"	MSTA002191	1
2	HOUSING	HIGH TEMPERATURE THERMOPLASTIC,BLACK	JCNOC001PC74-0	1
1	TERMINAL	COPPER ALLOY(T=0.20) CONTACT AREA:Pd Ni30u"+Au2u" SOLDER AREA:Sn80u" UNDER-PLATING:Ni30u"	MSTA001805	10

RoHS COMPLIANT

HALOGEN FREE

Unit : mm  
GENERAL TOLERANCES: (UNLESS SPECIFIED)  
0 = ±.50  
0.0 = ±.25  
0.00 = ±.15  
0.000 = ±.05  
0° = ± 1°  
0.0° = ±.50°

PROJECTION  
D.R. 11/01/2018  
Chenke  
CH.K  
APV.D

**JPC JESS-LINK PRODUCTS CO., LTD.**

TITLE MICRO USB3.0-B F SMT V CONN (CUSTOMER DRAWING) PRODUCT NO. OR LAYOUT C14N0192A

SCALE 5:1 SIZE A4 DWG NO. PCNRC001PC74-0 REV. 04 SH,T NO. 10F1

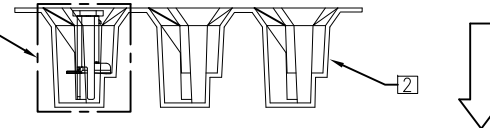
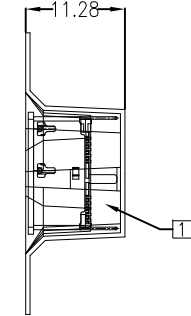
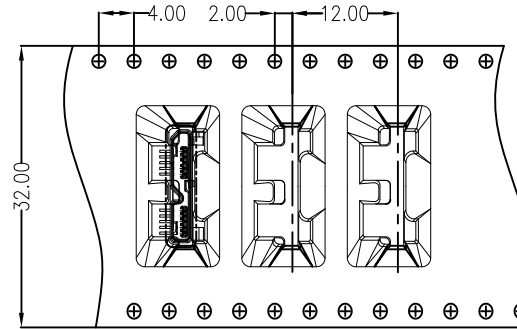
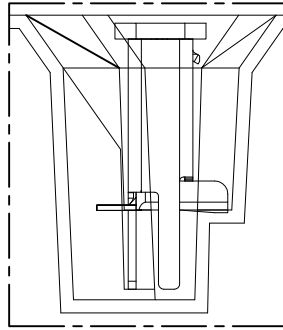
THIS DRAWING AND THE DATA DISCLOSED HEREIN OR HEREWITH IS NOT TO BE REPRODUCED USED OR DISCLOSED IN WHOLE OR IN PART TO ANYONE WITHOUT THE PERMISSION OF JESS-LINK PRODUCTS CO.,LTD.

CUSTOMER DRAWING

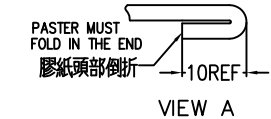
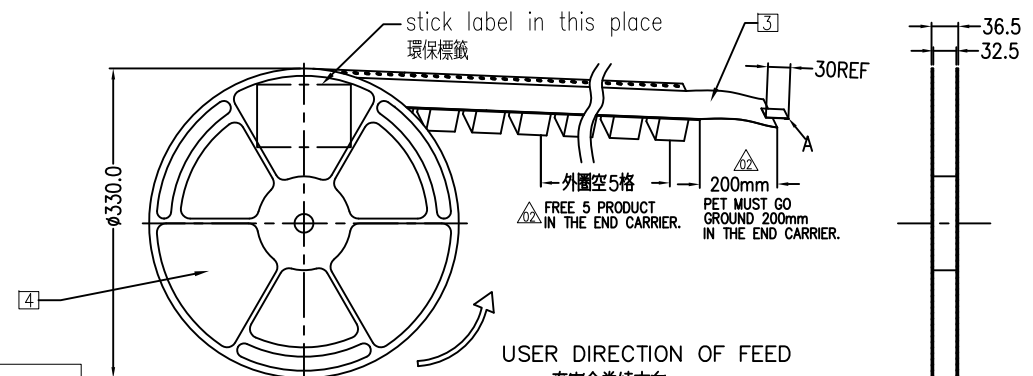
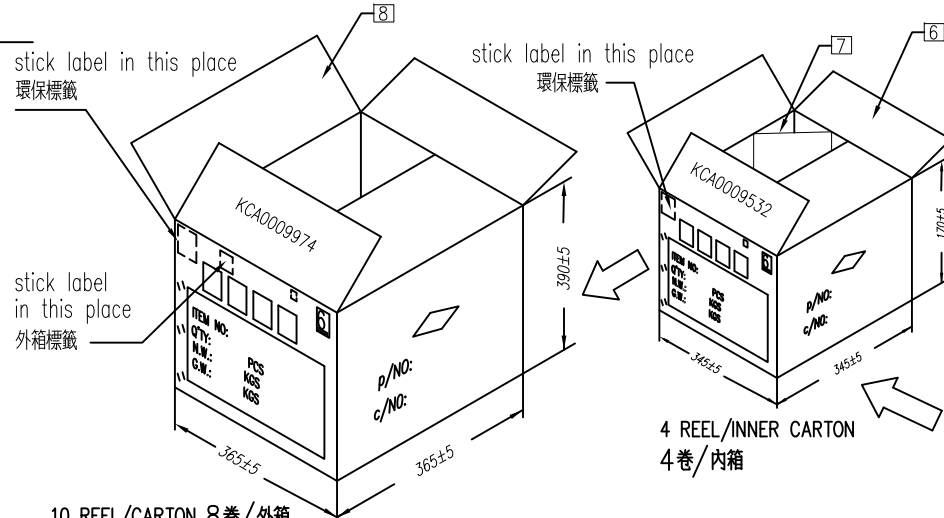
REV.	ECN NO.	DESCRIPTION	MDF'D	APP'D	DATE
01		RELEASE	Colin	Richard	03/19/2019
02	ECN-072217	CHANGE CARRIER TAPE Q'TY	HaiBin	Richard	10/10/2018

NOTE:

序號 NO.	項目 ITEM	
a	包裝方式 Method of packing	PCNRC001PC74-0
b	包裝方式說明 Packing instruction	
c	內包裝單位 Unit of inner packing	箱 CARTON
d	內包裝產品數量 Inner packing quantity	2000 PCS
e	內包裝重量(g) Inner packing weight	897
f	外包裝單位 Unit of outer packing	箱 CARTON
g	外包裝內包裝數量 Quantity of inner packing	2
h	外包裝重量(g) Weight of outer packing	780.2g
i	總數量(PCS) Total quantity	4000 PCS
j	長Length (mm) x寬Width (mm) x高High (mm)	365*365*390
k	數量/卷 1. QUANTITY/REEL	500 PCS
l	淨重/箱 WEIGHT/CARTON:N.W	2.432 KG
m	毛重/箱 WEIGHT/CARTON:G.W	5.006±0.30KG
n	FREE 30 PRODUCT IN THE FRONT CARRIER AND FREE 5 PRODUCT IN THE END CARRIER. 包裝箱內圈空 30 格, 外圈空 5 格	



USER DIRECTION OF FEED



ITEM	PART	DESCRIPTION	PART NUMBER	Q'TY
8	OUTER CARTON	K=A	KCA0009974	1
7	A TYPE PAD	K=A	KCA0009597	8
6	INNER CARTON	K=A	KCA0009532	2
5	PE BAG	PE	KBA0007717	2
4	PLASTIC TRAY+PLASTIC AXLE	PS, BLUE	KPP0005861	8
3	COVER TAPE	PET	KPP0000088	
2	CARRIER TAPE	PS, T=0.50, BLACK & TRANSPARENCE	KPP0005944	
1	PRODUCT		PCNRC001PC74-0	2000

RoHS COMPLIANT  
HALOGEN FREE

Unit : mm	PROJECTION
GENERAL TOLERANCES: (UNLESS SPECIFIED)	D.R. 10/10/2018 HaiBin
0 = ±.30	CH.K
0.0 = ±.20	APV.D
0.00 = ±.10	
0.000 = ±.05	
0° = ± 1°	
0.0° = ±.50°	

<b>JPC JESS-LINK PRODUCTS CO., LTD.</b>			
TITLE MICRO USB3.0-B F SMT V CONN (PACKING DRAWING)		PRODUCT NO. OR LAYOUT C14N0192A	
SCALE N/A	SIZE A4	DWG NO. SOP-PK-PCNRC001PC74-0	REV. 02 SH,T NO. 1 OF 1