

THIS DRAWING AND THE DATA DISCLOSED HEREIN OR HEREWITH IS NOT TO BE REPRODUCED USED OR DISCLOSED IN WHOLE OR IN PART TO ANYONE WITHOUT THE PERMISSION OF JESS-LINK PRODUCTS CO.,LTD.

CUSTOMER DRAWING

REV.	ECN NO.	DESCRIPTION	MDF'D	APP'D	DATE
01		RELEASE	Colin	Richard	07/04/12*
02	ECN-046296	ADD LOT NO.	Colin	Richard	08/05/13*
03	ECN-072495	Modify picture frame	Chenke	Richard	11/01/18*

A

B

C

D

E

F

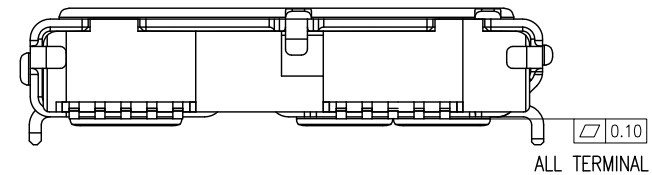
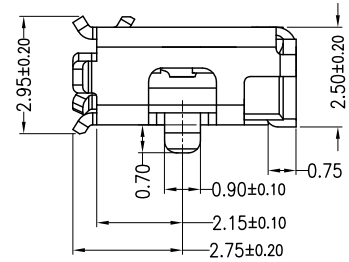
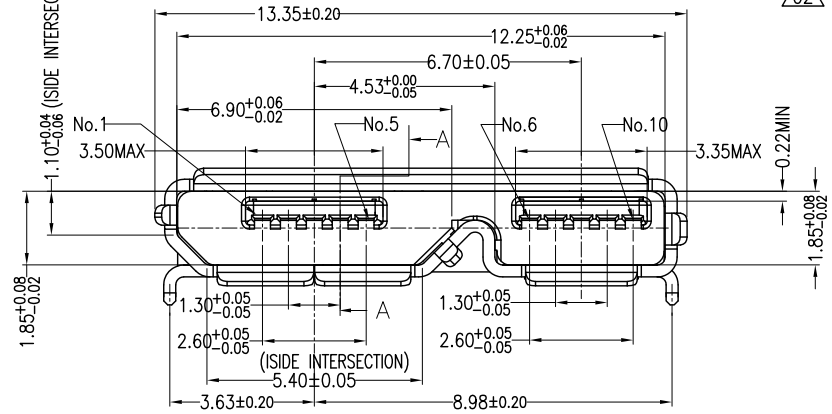
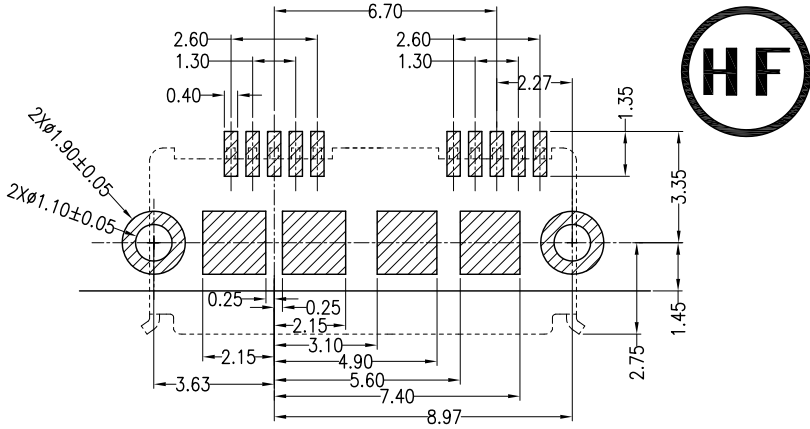
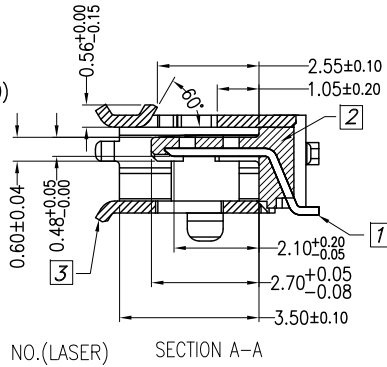
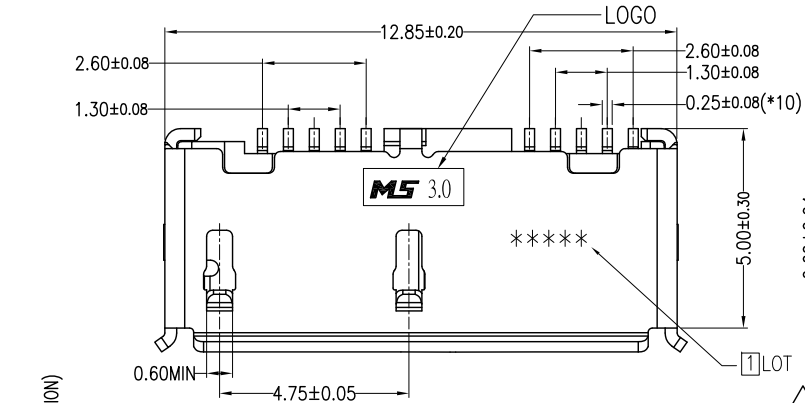
B

C

D

E

F



1 LOT NUMBER ORDERING
 CODE:01,02...99...A0,A1
 TEAM CODE:A,B,C...1,2,3
 MONTH CODE:1,2,3...A,B,C
 YEAR CODE:0,1,2,3...

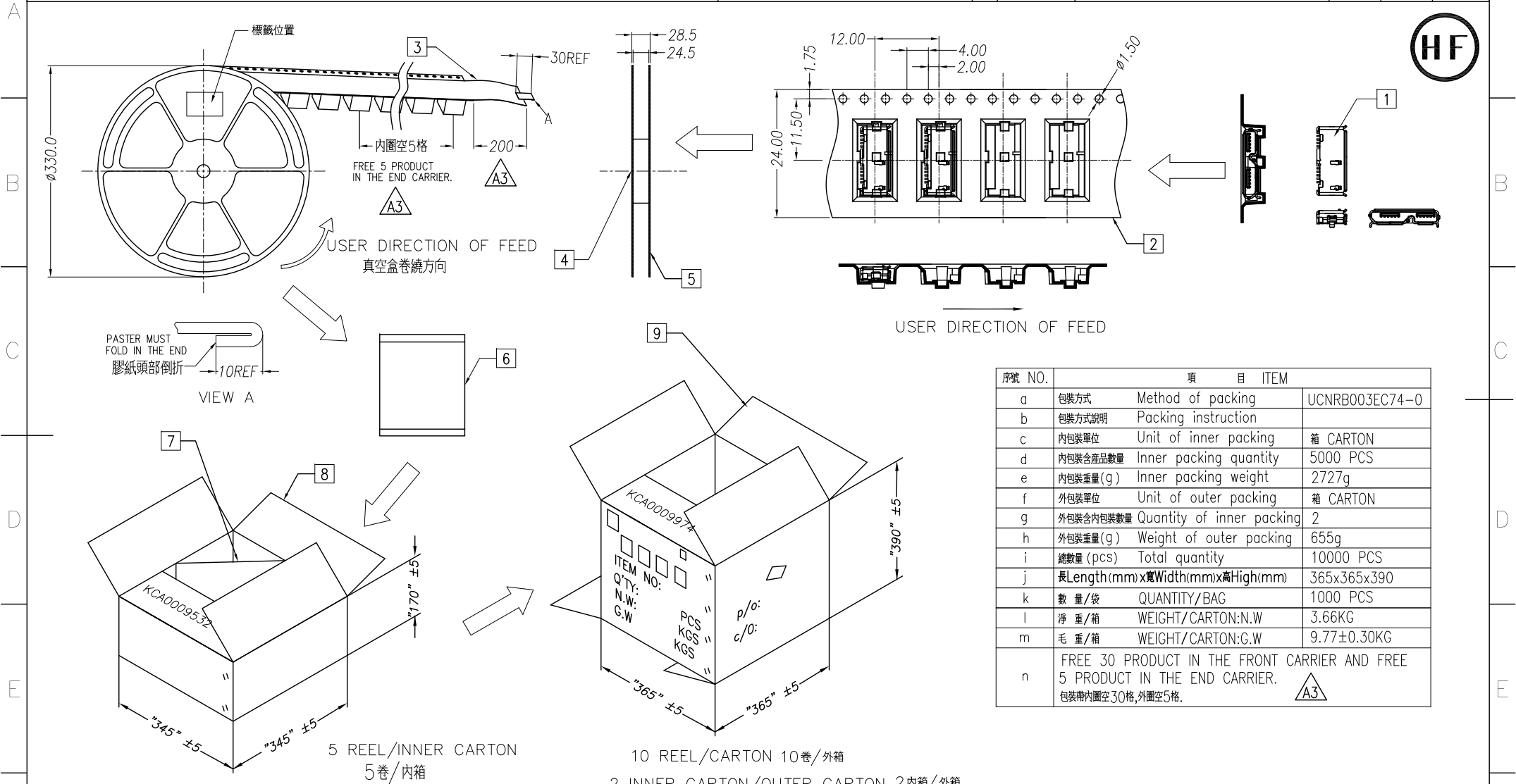
ITEM	PART	DESCRIPTION	PART NUMBER	Q'TY	RoHS COMPLIANT	HALOGEN FREE	Unit : mm	PROJECTION	JPC JESS-LINK PRODUCTS CO., LTD.	
3	SHELL	STAINLESS STEEL,T=0.30 30u" NICKEL OVER PLATED	MSTA001671	1			GENERAL TOLERANCES: (UNLESS SPECIFIED)	D.R. 11/01/2018 Chenke	TITLE MICRO USB 3.0-B F SMT RECEPTACLE (Halogen-Free) (CUSTOMER DRAWING)	PRODUCT NO. OR LAYOUT
2	HOUSING	HIGH TEMPERATURE THERMOPLASTICS COLOR:BLACK	UCN0A007E010-0	1			0 = ±.20	CH.K	SCALE 6:1	REV. 03
1	CONTACT	COPPER ALLOY,T=0.20 CONTACT AREA:Au 30u" SOLDER AREA:Au 2u" UNDER-PLATING:Ni 80u"	MSTA000226	10			0.0 = ±.10	APV.D	SIZE A4	SH,T NO. 1 OF 1
							0.00 = ±.05		DWG NO. UCNRB003EC74-0	
							0.000 = ±.03			
							0° = ± 1°			
							0.0° = ±.50°			

1 2 3 4 5 6 7 8

THIS DRAWING AND THE DATA DISCLOSED HEREIN OR HEREWITH IS NOT TO BE REPRODUCED USED OR DISCLOSED IN WHOLE OR IN PART TO ANYONE WITHOUT THE PERMISSION OF JESS-LINK PRODUCTS CO.,LTD.

CUSTOMER DRAWING

REV.	ECN NO.	DESCRIPTION	MDF'D	APP'D	DATE
A1		NEW DRAWING RELEASE	Colin	Richard	07/04/12
A2	ECN-045857	MODIFY OUTER BOX P/N	ZHI	Richard	07/16/13
A3	ECN-072217	CHANGE CARRIER TAPE Q'TY	Semin	Richard	10/25/18



序號 NO.	項 目 ITEM	
a	包裝方式 Method of packing	UCNRB003EC74-0
b	包裝方式說明 Packing instruction	
c	內包裝單位 Unit of inner packing	箱 CARTON
d	內包裝產品數量 Inner packing quantity	5000 PCS
e	內包裝重量(g) Inner packing weight	2727g
f	外包裝單位 Unit of outer packing	箱 CARTON
g	外包裝內包裝數量 Quantity of inner packing	2
h	外包裝重量(g) Weight of outer packing	655g
i	總數量 (pcs) Total quantity	10000 PCS
j	長Length(mm)x寬Width(mm)x高High(mm)	365x365x390
k	數量/袋 QUANTITY/BAG	1000 PCS
l	淨重/箱 WEIGHT/CARTON:N.W	3.66KG
m	毛重/箱 WEIGHT/CARTON:G.W	9.77±0.30KG
n	FREE 30 PRODUCT IN THE FRONT CARRIER AND FREE 5 PRODUCT IN THE END CARRIER. 包裝帶內圈空30格,外圈空5格. A3	

ITEM	PART	DESCRIPTION	PART NUMBER	Q'TY
9	OUTER CARTON	K=A	KCA0009974	1
8	INNER CARTON	K=A	KCA0009532	2
7	EDGE BOARD	B=C	KCA0009597	8
6	WATERPROOF	PE	KBA0007717	2
5	PLASTIC TRAY	PS,BLUE,T=2.0	KPL0000314	20
4	PLASTIC AXLE	PS,BLUE	KPP0004656	10
3	COVER TAPE	PET	KPP0004658	
2	CARRIER TAPE	PS,T=0.40,BLACK	KPP0005731	10
1	CONNECTOR		UCNRB003EC74-0	10000

RoHS COMPLIANT

HALOGEN FREE

Unit : mm
GENERAL TOLERANCES (UNLESS SPECIFIED)
0 = ±.30
0.0 = ±.20
0.00 = ±.10
0.000 = ±.05
= ±.1
0.0 = ±.50

PROJECTION	
D.R.	10/25/2018
Semin	
CH.K	
APV.D	

JPC JESS-LINK PRODUCTS CO., LTD.			
TITLE MICRO USB 3.0-B F SMT RECEPTACLE (PACKING DRAWING)			PRODUCT NO. OR LAYOUT
SCALE N/A	SIZE A4	DWG NO. SOP-PK-UCNRB003EC74-0	REV. A3
			SH,T NO. 1 OF 1