

THIS DRAWING AND THE DATA DISCLOSED HEREIN OR HEREWITH IS NOT TO BE REPRODUCED USED OR DISCLOSED IN WHOLE OR IN PART TO ANYONE WITHOUT THE PERMISSION OF JESS-LINK PRODUCTS CO.,LTD.

CUSTOMER DRAWING

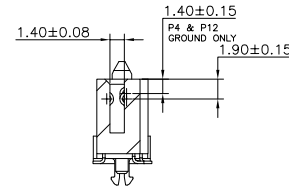
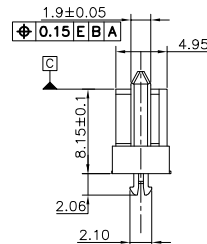
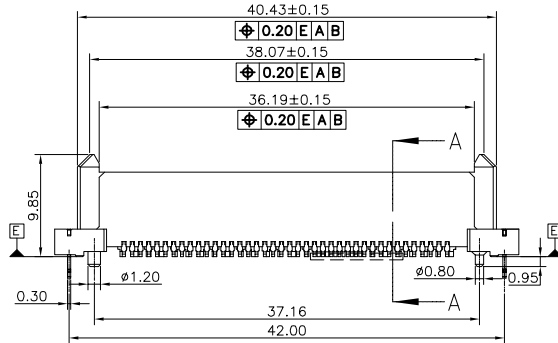
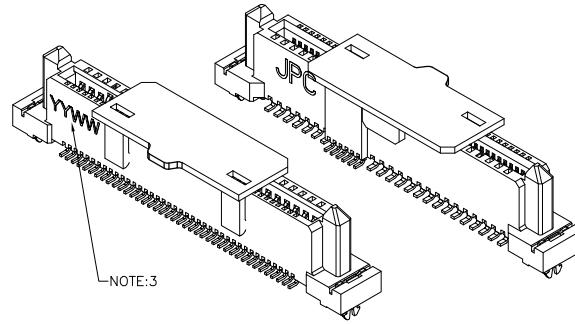
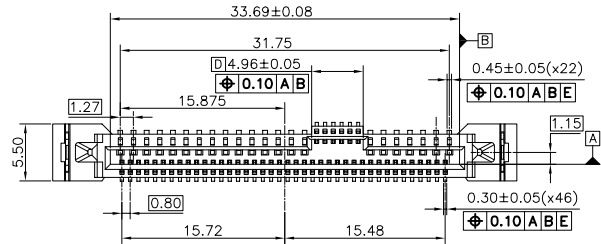
| REV. | DESCRIPTION | MDF'D | APP'D | D-ATE |
|------|----------------------|-------|-------|------------|
| 31 | NEW DRAWING RELEASE | Zhico | Roy | 15/11/2017 |
| 32 | MODIFY THE STRUCTURE | Zhico | Roy | 17/11/2017 |

NOTE:

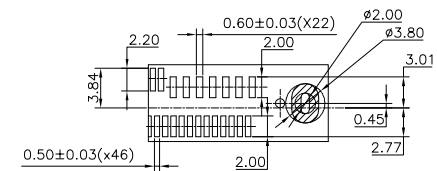
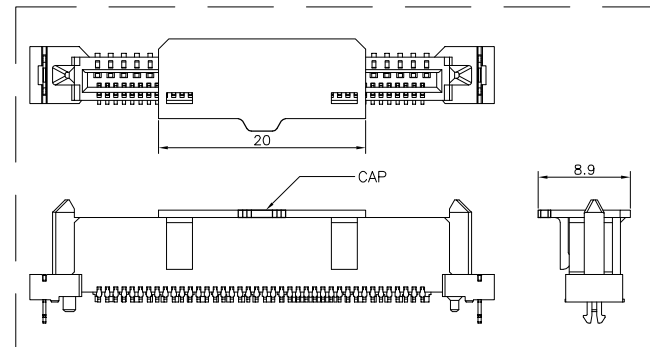
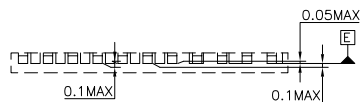
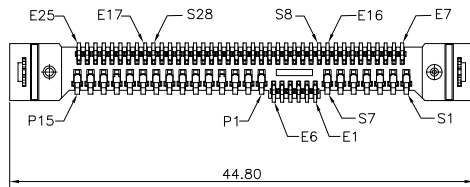
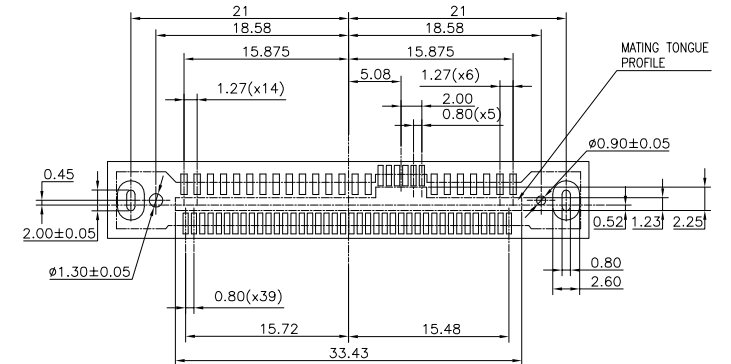
- MATERIAL:
HOUSING: HI-TEMP THERMOPLASTIC UL 94V-0 BLACK
TERMINAL/FORKLOCK: COPPER ALLOY
- PLATING:
TERMINAL: 30μ" MIN GOLD ON MATING AREA
100μ" MIN MATTE TIN ON SOLDER AREA
50μ" MIN NICKEL UNDERPLATE ALL OVER
FORKLOCK: 50μ" MIN NICKEL UNDERPLATE ALL OVER
100μ" MIN MATTE TIN ALL OVER
- DATE CODE: YYWW
YY=YEAR OF MANUFACTURE
WW=WEEK OF MANUFACTURE
- PACKAGE: TAPE & REEL
- P/N: MARTAX:

JPC P/N: P 9 2 3 A 0 6 8 3 F 0 R - 0

| | |
|--|---|
| SFF 8639 RECEPTACLE VERTICAL SMT SERIES | PACKAGE R : TAPE & REEL Q: 2.1mm F: FORK |
| POS: 062: 62PIN 068: 68PIN | CONNECTOR PLATING 2: MATING -15μ" Au / TAIL MATT TIN 3: MATING -30μ" Au / TAIL MATT TIN |



A-A



| | | | | | | | | | |
|-----------------------|---------------------|---------------------------------------|------------|----------|--|--|--------------------------|------|---------------|
| RoHS COMPLIANT | HALOGEN FREE | Unit: mm | PROJECTION | | JESS-LINK PRODUCTS CO.,LTD. | PRODUCT NO. OR LAYOUT | | | |
| | | GENERAL TOLERANCES (UNLESS SPECIFIED) | D.R. | DATE | | TITLE | PRODUCT NO. OR LAYOUT | | |
| | | 0.1 | Zhico | 17/11/17 | | SFF 8639 PCI-e SAS 68PIN CONNECTOR | C74F-C270A | | |
| | | 0.2 | Jlm | 17/11/17 | | (SFF8639) PCI-e SAS 68PIN FORK (P=2.1mm) | | | |
| | | APVD | Roy | 17/11/17 | SCALE | SIZE | PART NO. | REV. | SHT. NO. / OF |
| | | | | | 1:1 | A3 | P923A0683FOR-C | 32 | 1 / 1 |