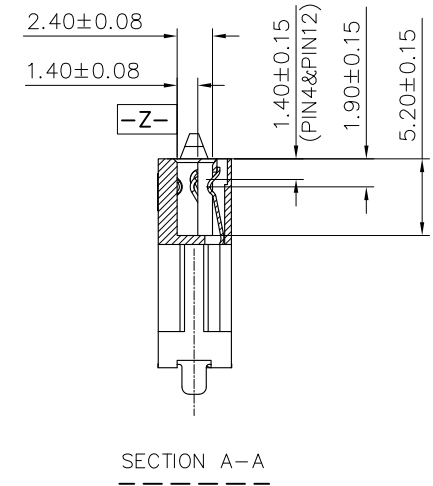
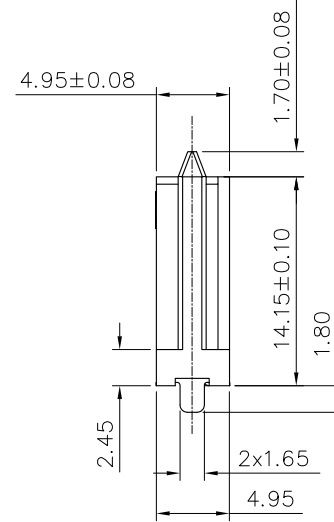
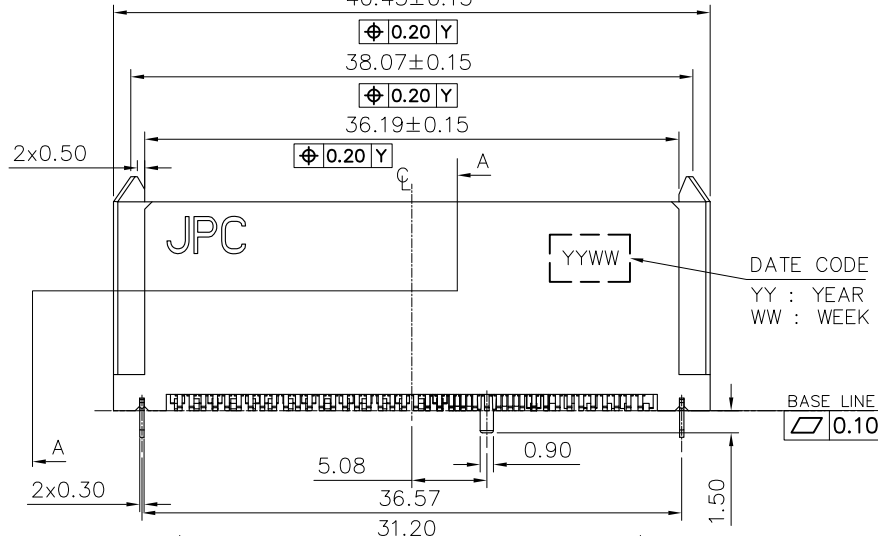
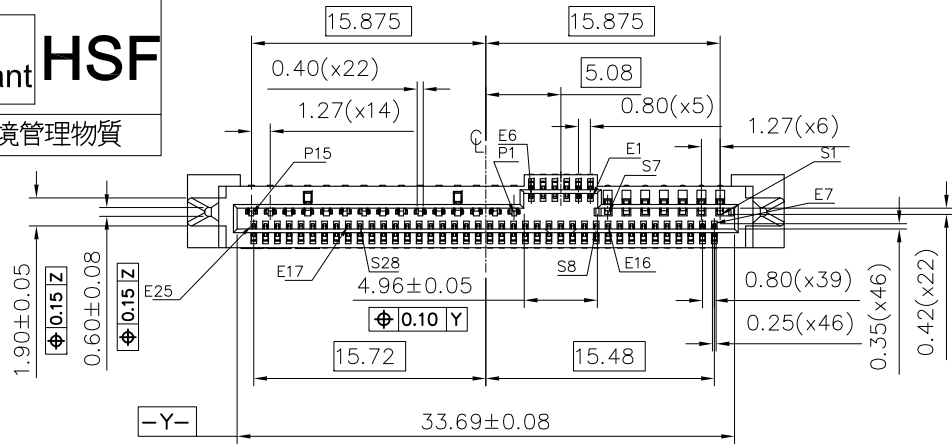




RoHS Compliant

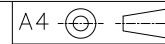
HSF

禁止使用1級環境管理物質



ITEM	DESC.	MATERIAL	REMARKS	PART REMARKS
.x = ±0.50 .XX = ±0.25 .XXX = ±0.15 XX' = ±1" X.XX' = ±0.5"	DRAWN		C TITLE: SFF-8639 SAS HD 68PIN CONNECTOR (CUSTOMER DRAWING)	PART NO. P923B068330T-1
	DESIGN			PRODUCT NO. C14N0177A
TOLERANCES	CHECKED		DRAWING NO. P923B068330T-1	UNIT: mm SCALE: 2:1 REV: 01 SHT: 1 of 2
	APPROVED			

JESS - LINK PRODUCTS CO., LTD.



ECN-062435	01	08/10/16"	NEW DRAWING RELEASE	ZHAO	RICHARD
ECN NO.	REV	DATE	DESCRIPTION	MDF'D	APP'D

THIS DRAWING CONTAINS INFORMATION THAT IS PROPRIETARY TO JPC INCORPORATED AND SHOULD NOT BE USED WITHOUT WRITTEN REMISSION.

D

D

C

B

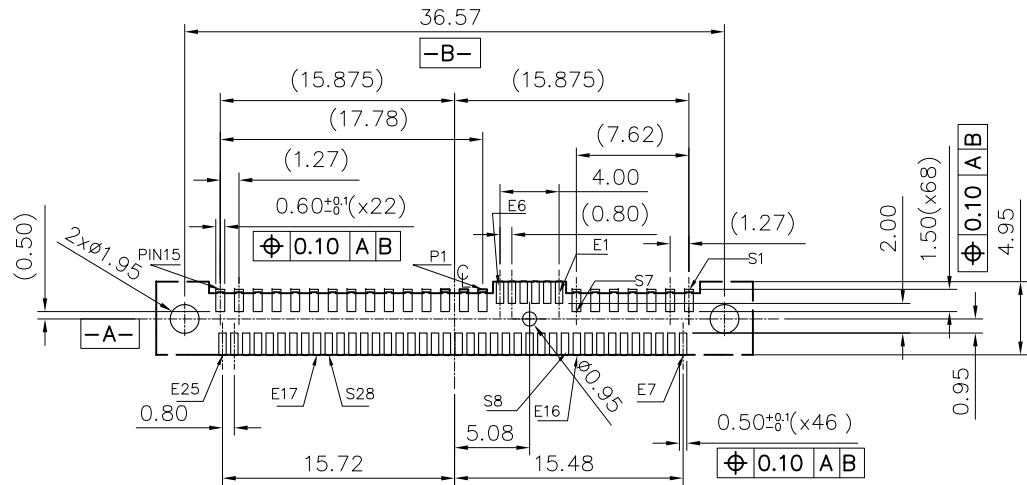
A

A

8 7 6 5 4 3 2 1



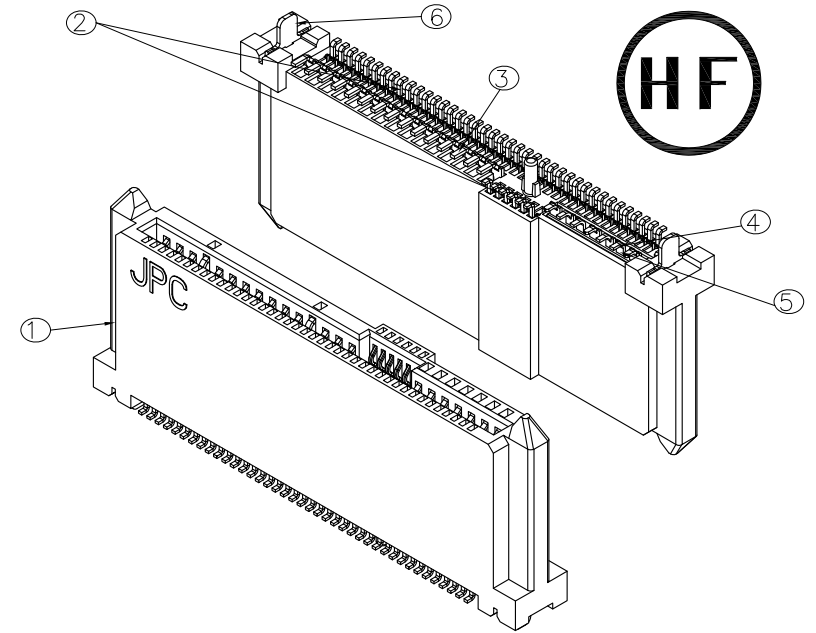
禁止使用1級環境管理物質



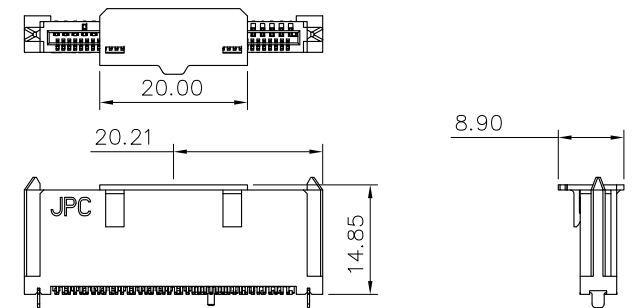
RECOMMEND P.C.B LAYOUT
T=2.00mm
GENERAL TOLERANCES: ±0.05

NOTE:

- MATERIAL:
HOUSING: LCP UL 94V-0 COLOR: BLACK
TERMINAL/FORKLOCK: COPPER ALLOY
- PLATING:
TERMINAL: 15u" MIN GOLD ON MATING AREA
100u" MIN MATTE TIN ON SOLDER AREA
50u" MIN NICKEL UNDERPLATE ALL OVER
FORKLOCK: 50u" MIN NICKEL UNDERPLATE ALL OVER
100u" MIN MATTE TIN ALL OVER
- PACKAGE: TAPE & REEL

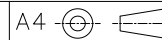


CAP 組裝示意圖



6	FORK	COPPER ALLOY		
5	HOUSING	LCP		
4	TERMINAL	COPPER ALLOY		
3	TERMINAL	COPPER ALLOY		
2	TERMINAL	COPPER ALLOY		
1	HOUSING	LCP		
ITEM	DESC.	MATERIAL	REMARKS	PART REMARKS
±0.50 .X = ±0.25 .XX = ±0.15 .XXX = ±0.05 XX' = ±1' X.XX' = ±0.5'	DRAWN		C	TITLE: SFF-8639 SAS HD 68PIN CONNECTOR — (CUSTOMER DRAWING)
	DESIGN			PART NO. P923B068330T-1
	CHECKED			PRODUCT NO. C14N0177A
	APPROVED			DRAWING NO. P923B068330T-1
TOLERANCES			UNIT: mm SCALE: 2:1	REV: 01 SHT: 2of2

JESS - LINK
PRODUCTS CO., LTD.



ECN-062435	01	08/10/16"	NEW DRAWING RELEASE	ZHAO	RICHARD
ECN NO.	REV	DATE	DESCRIPTION	MDF'D	APP'D

THIS DRAWING CONTAINS INFORMATION THAT IS PROPRIETARY TO JPC INCORPORATED AND SHOULD NOT BE USED WITHOUT WRITTEN REMISSION.